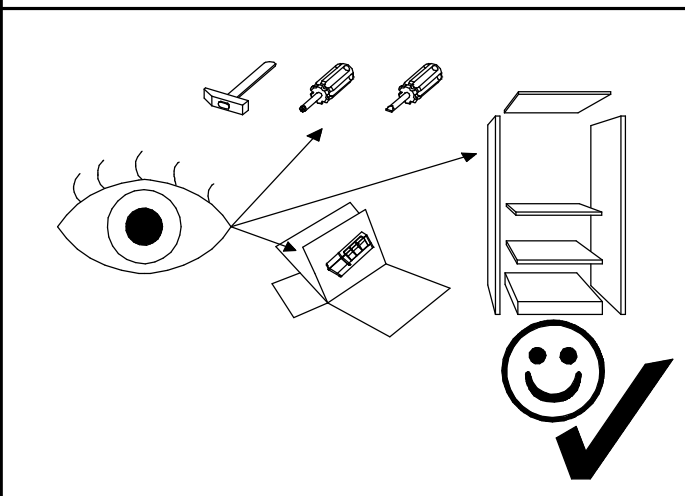
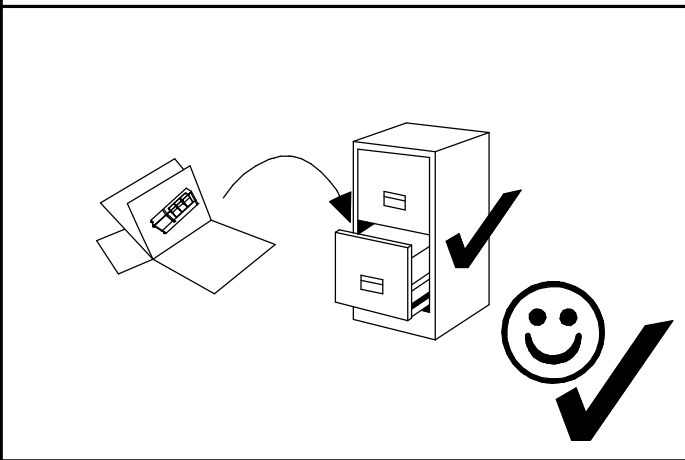
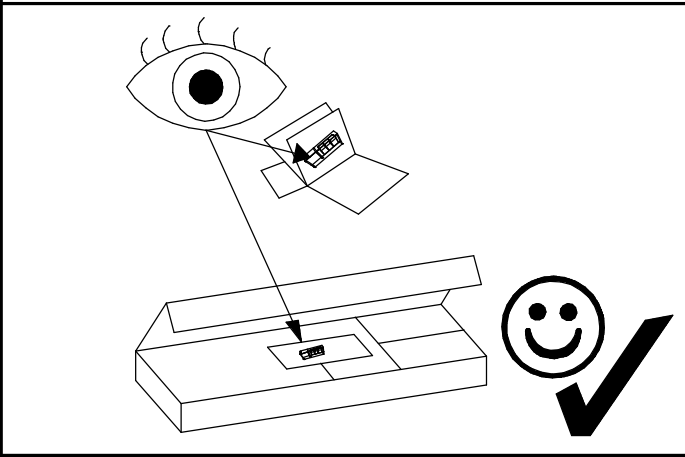
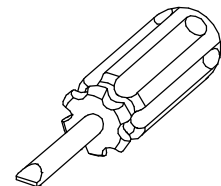
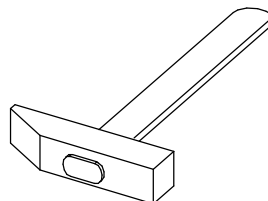
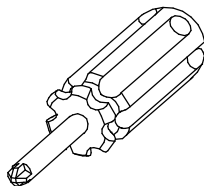
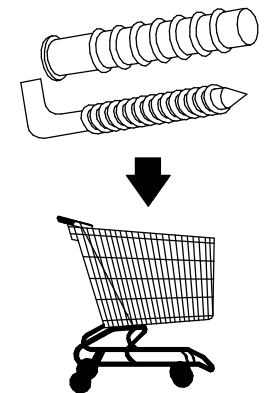
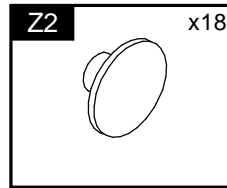
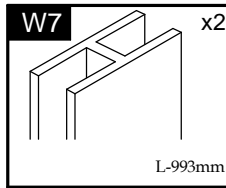
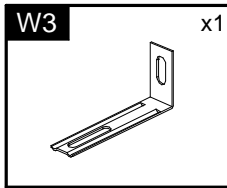
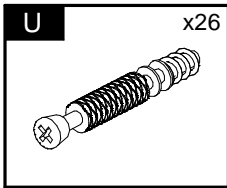
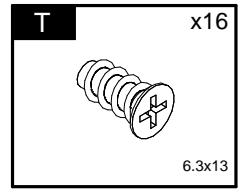
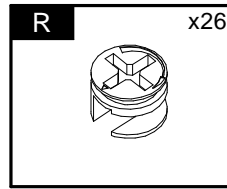
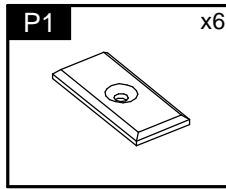
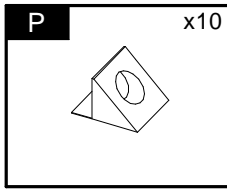
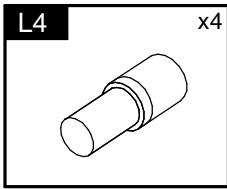
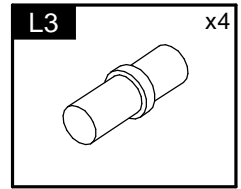
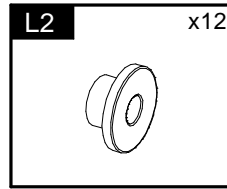
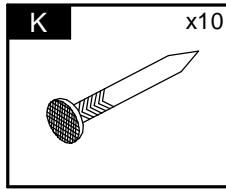
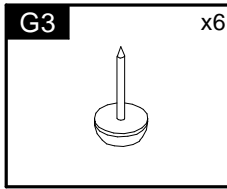
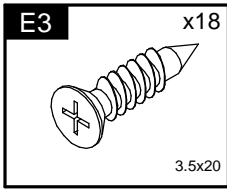
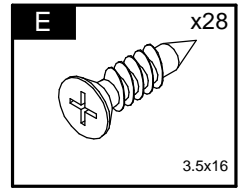
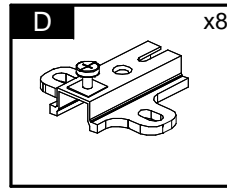
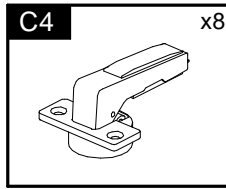
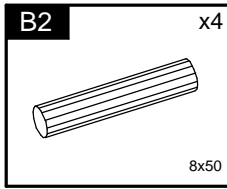
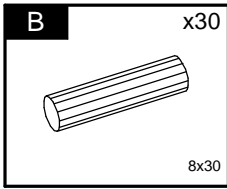
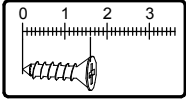


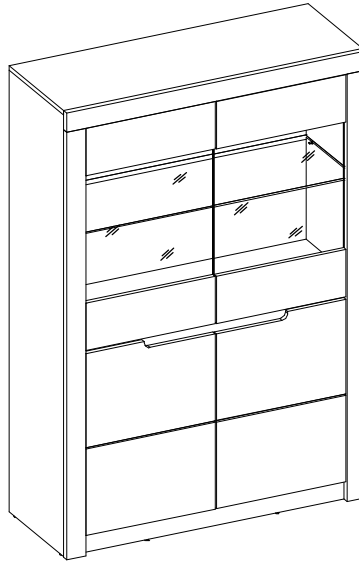
# Toronto

## Typ C

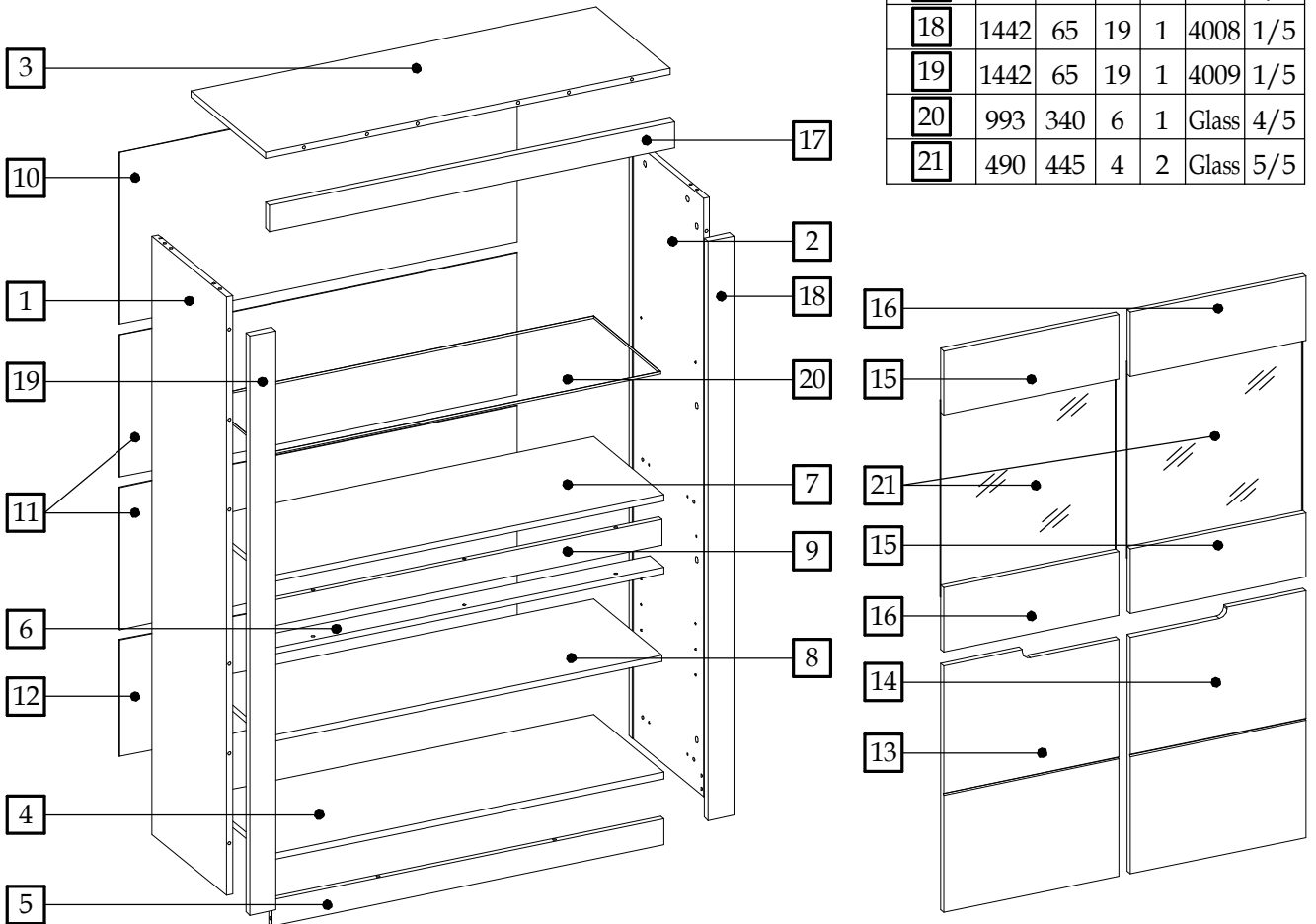






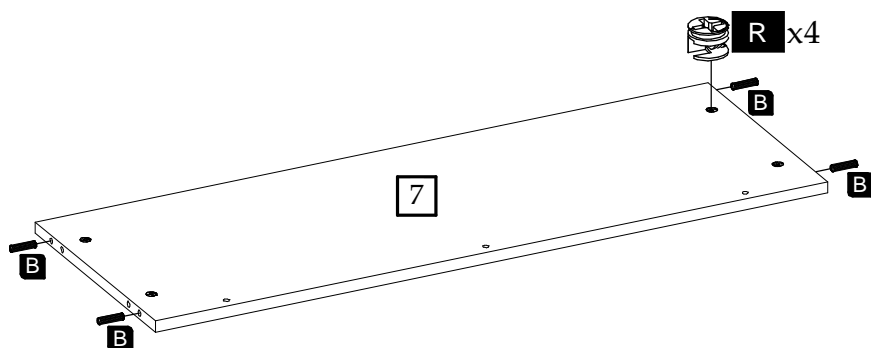
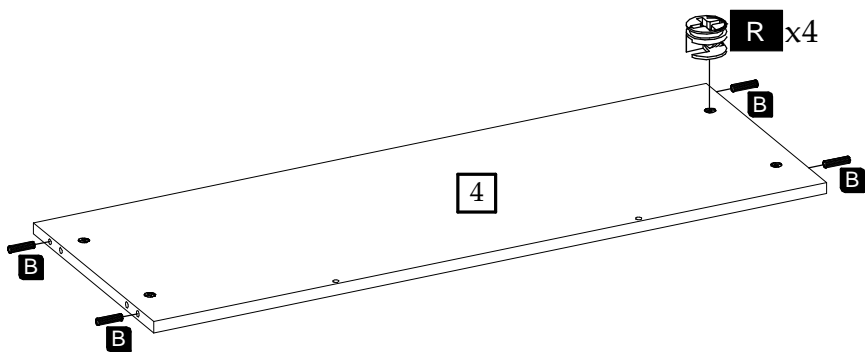


Element symbol	Measurements				Code	Paket
1	1491	375	16	1	1002	1/5
2	1491	375	16	1	1003	1/5
3	1028	375	16	1	1004	3/5
4	995	355	16	1	1005	3/5
5	995	65	16	1	1007	1/5
6	995	70	16	1	1039	1/5
7	995	355	16	1	1038	3/5
8	994	345	16	1	N/A	3/5
9	995	65	16	1	1001	1/5
10	1009	428	3	1	1006	1/5
11	1009	354	3	2	N/A	3/5
12	1009	290	3	1	N/A	3/5
13	617	447	16	1	3025	2/5
14	617	447	16	1	3026	2/5
15	447	162	16	2	3043	2/5
16	447	162	16	2	3044	2/5
17	1028	65	19	1	4007	1/5
18	1442	65	19	1	4008	1/5
19	1442	65	19	1	4009	1/5
20	993	340	6	1	Glass	4/5
21	490	445	4	2	Glass	5/5

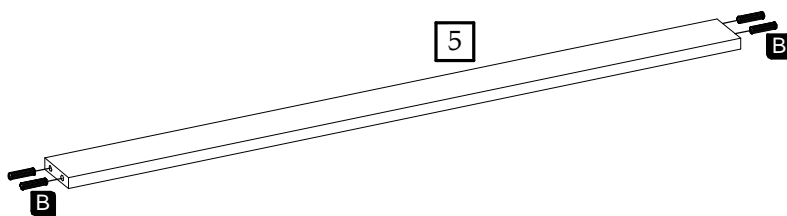
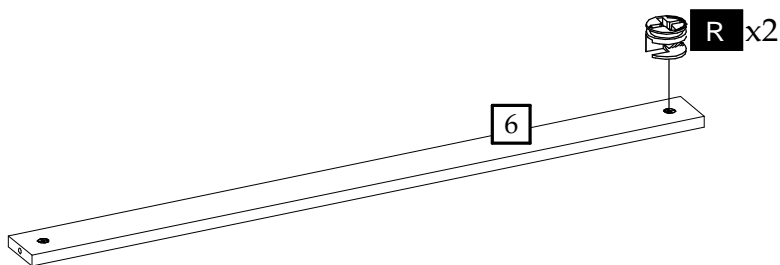




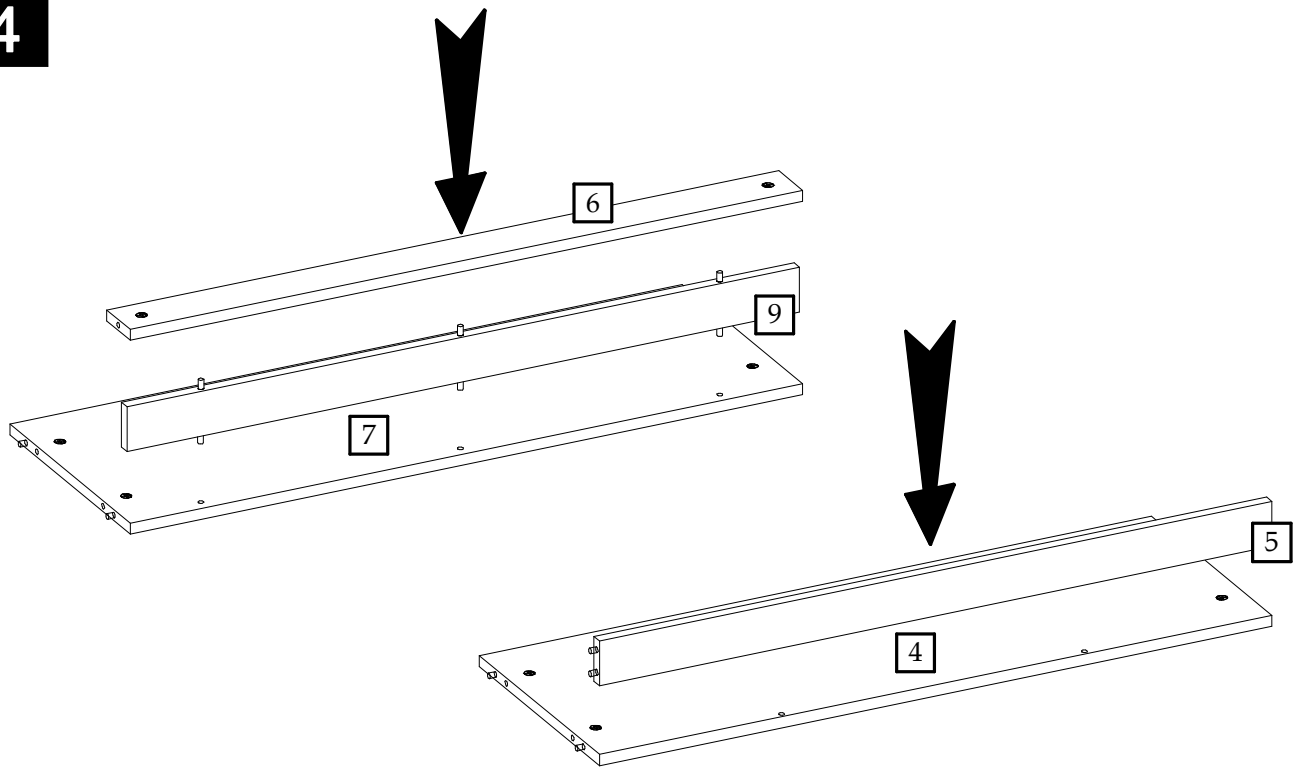
2



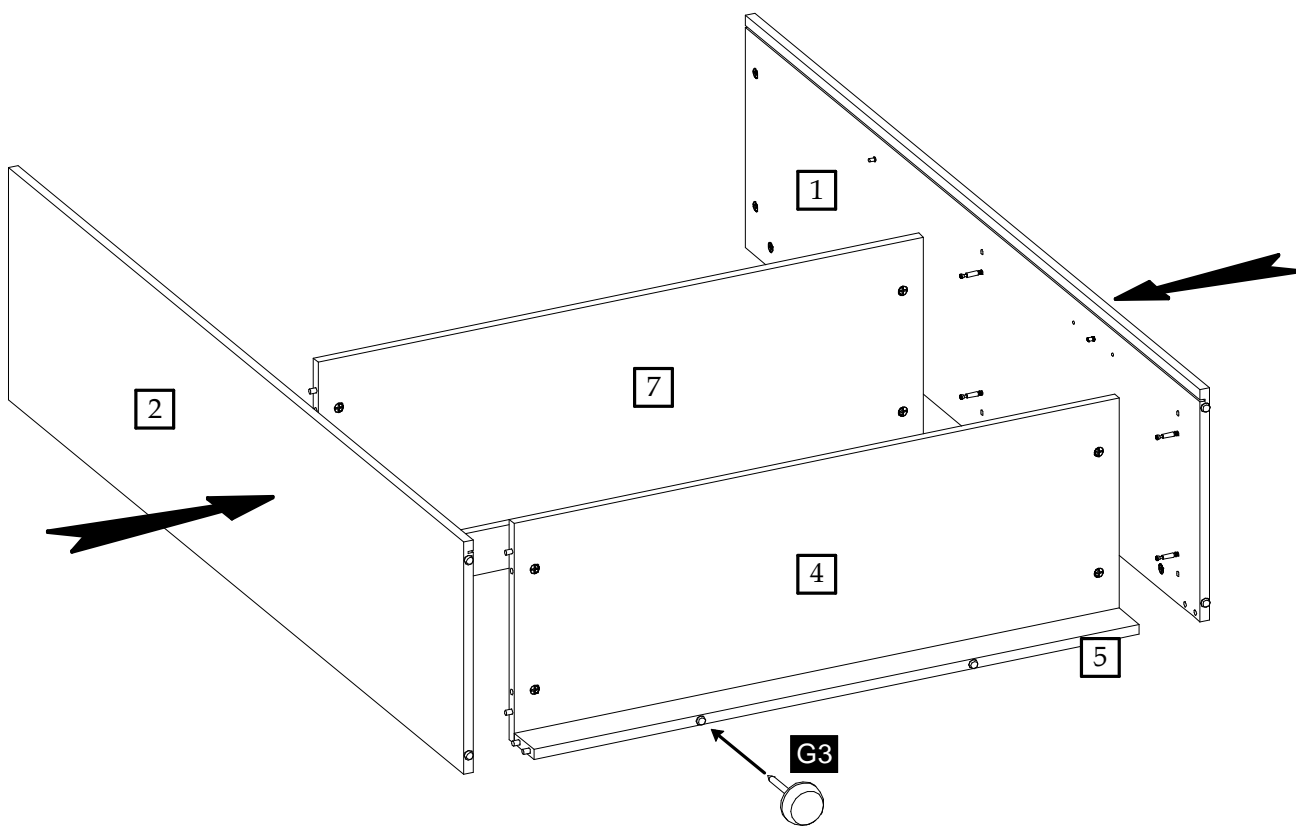
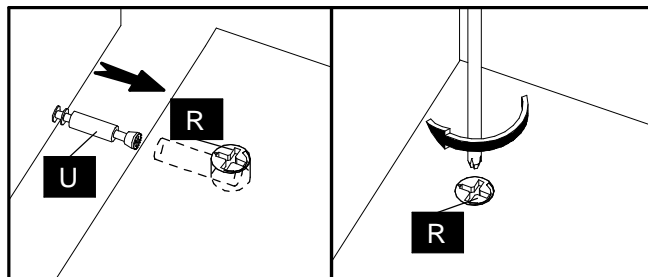
3



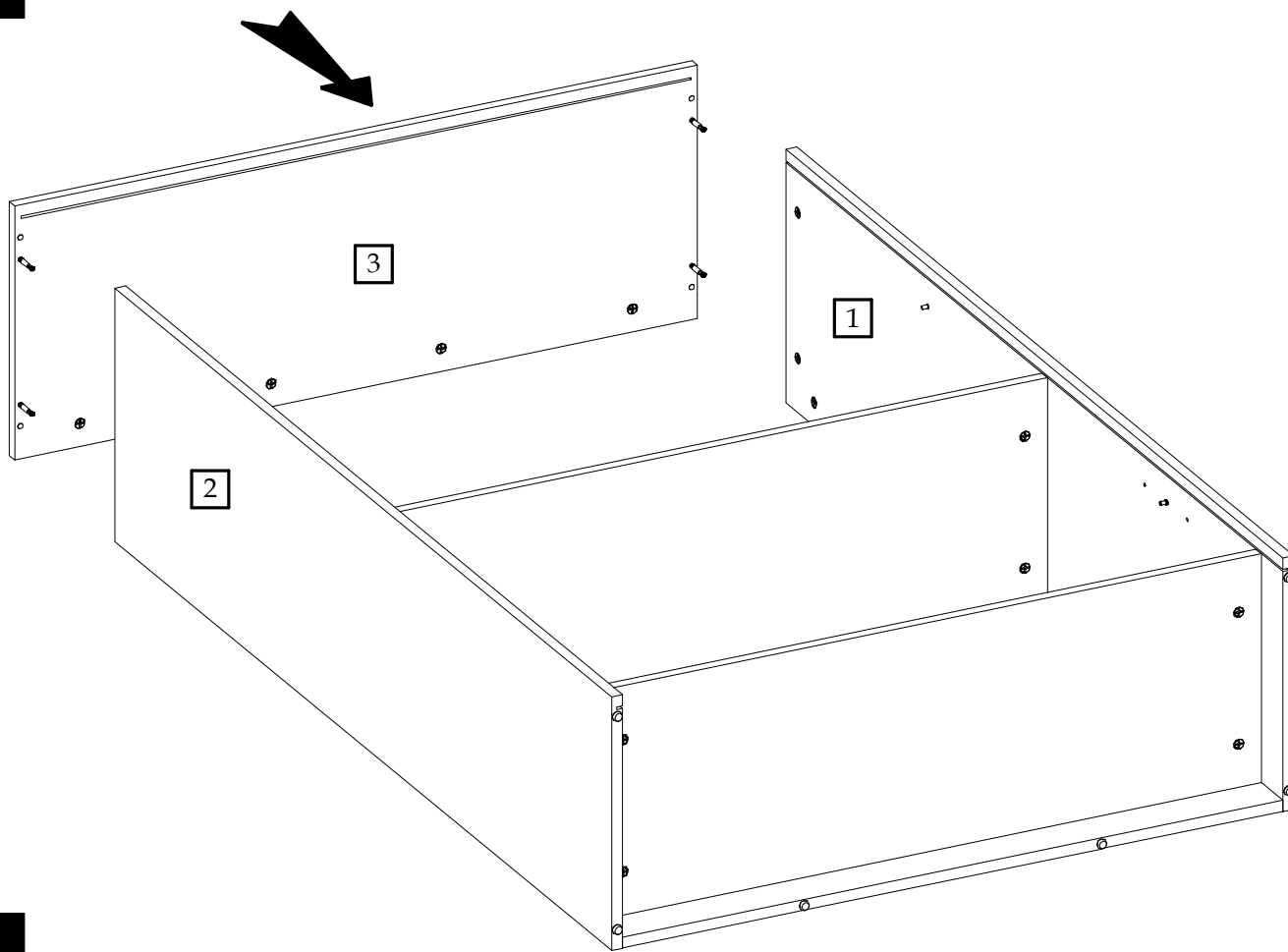
4



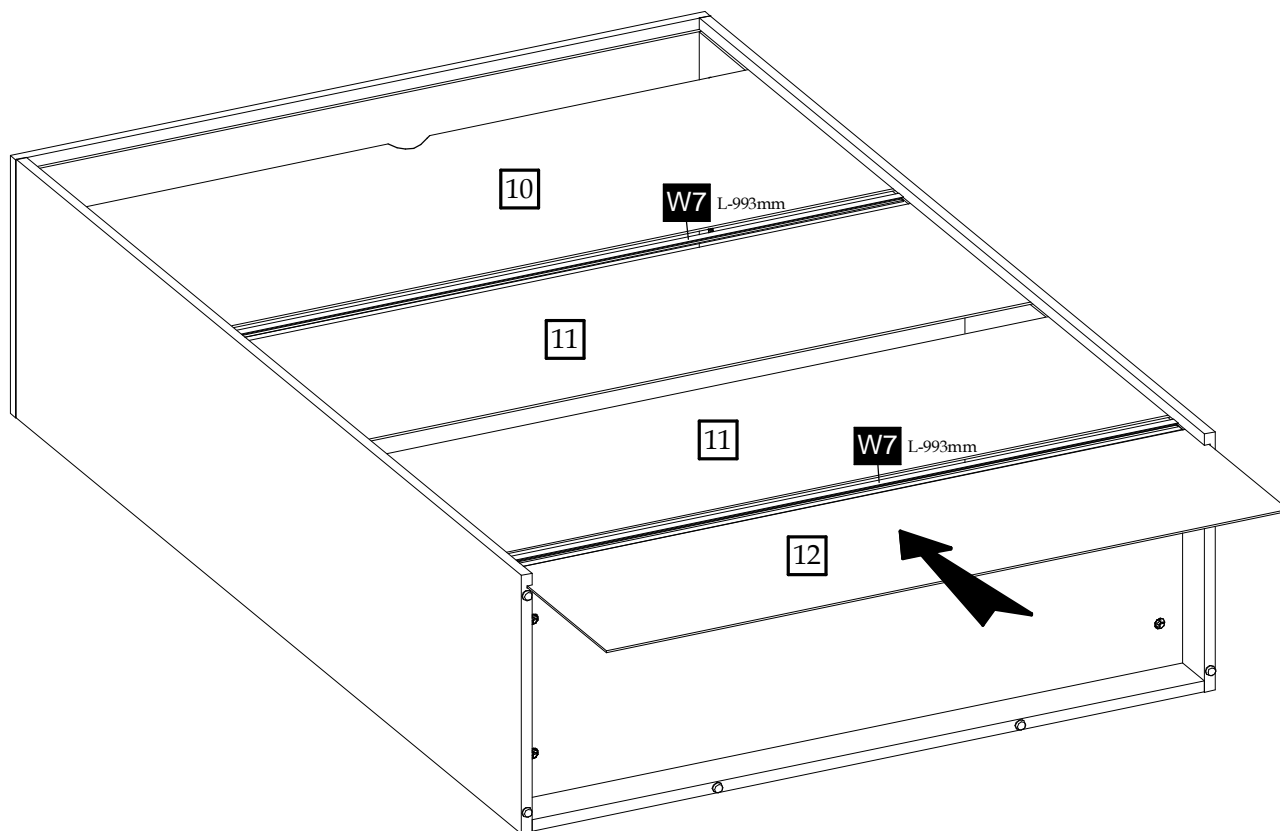
5



6

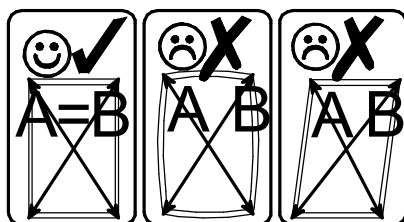
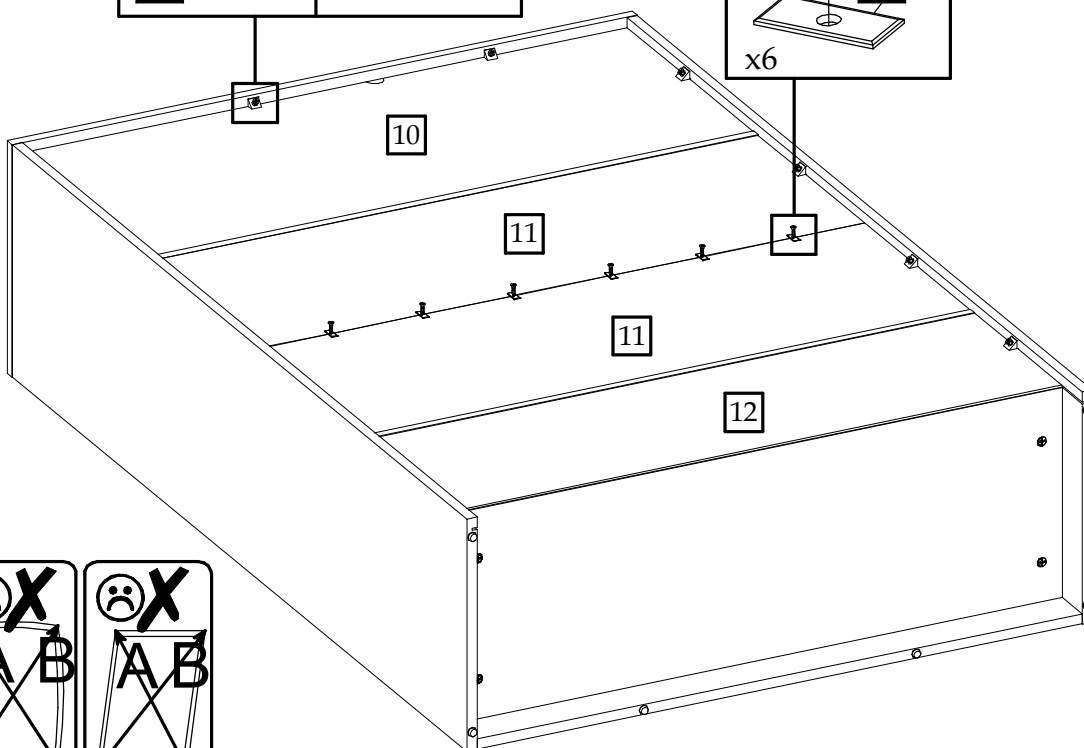
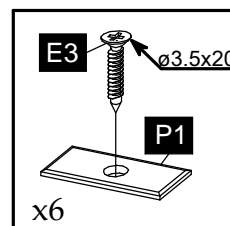
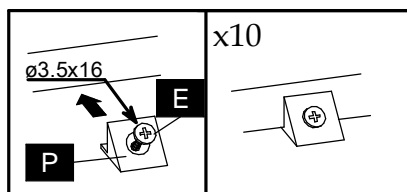


7

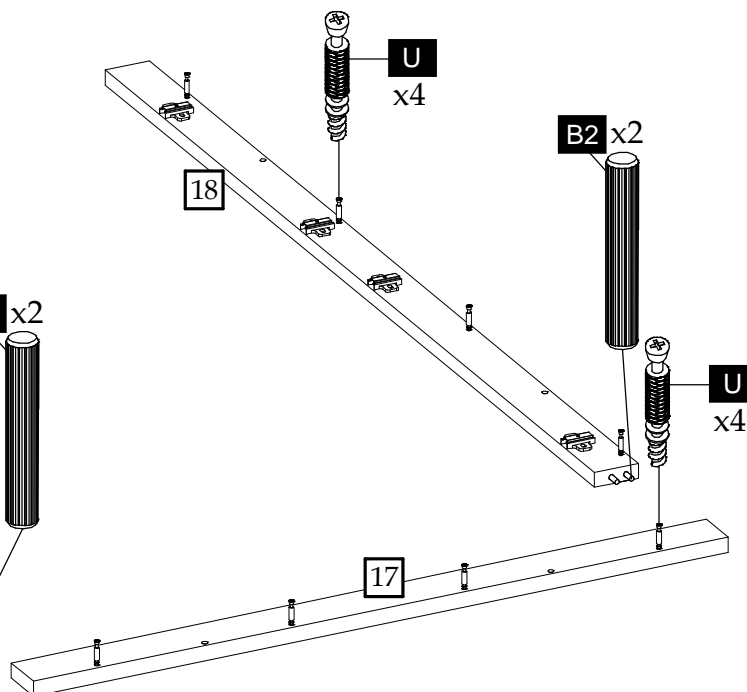
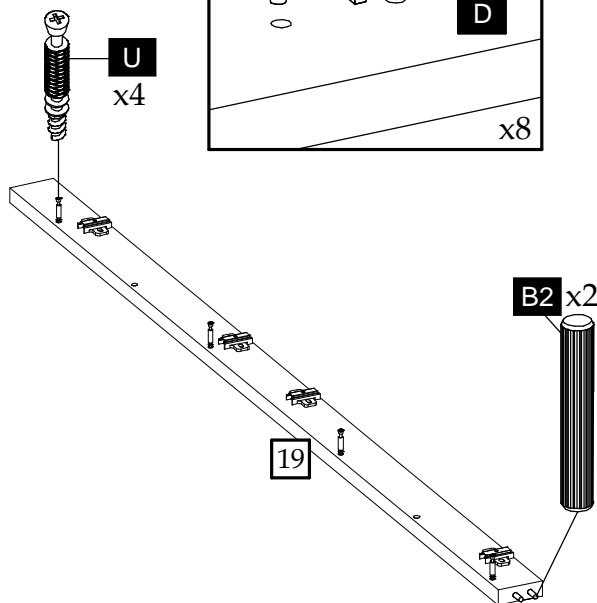
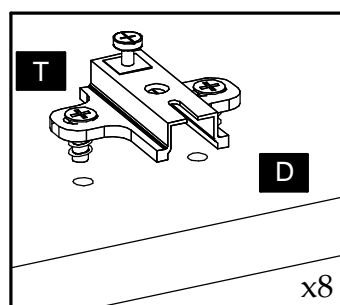




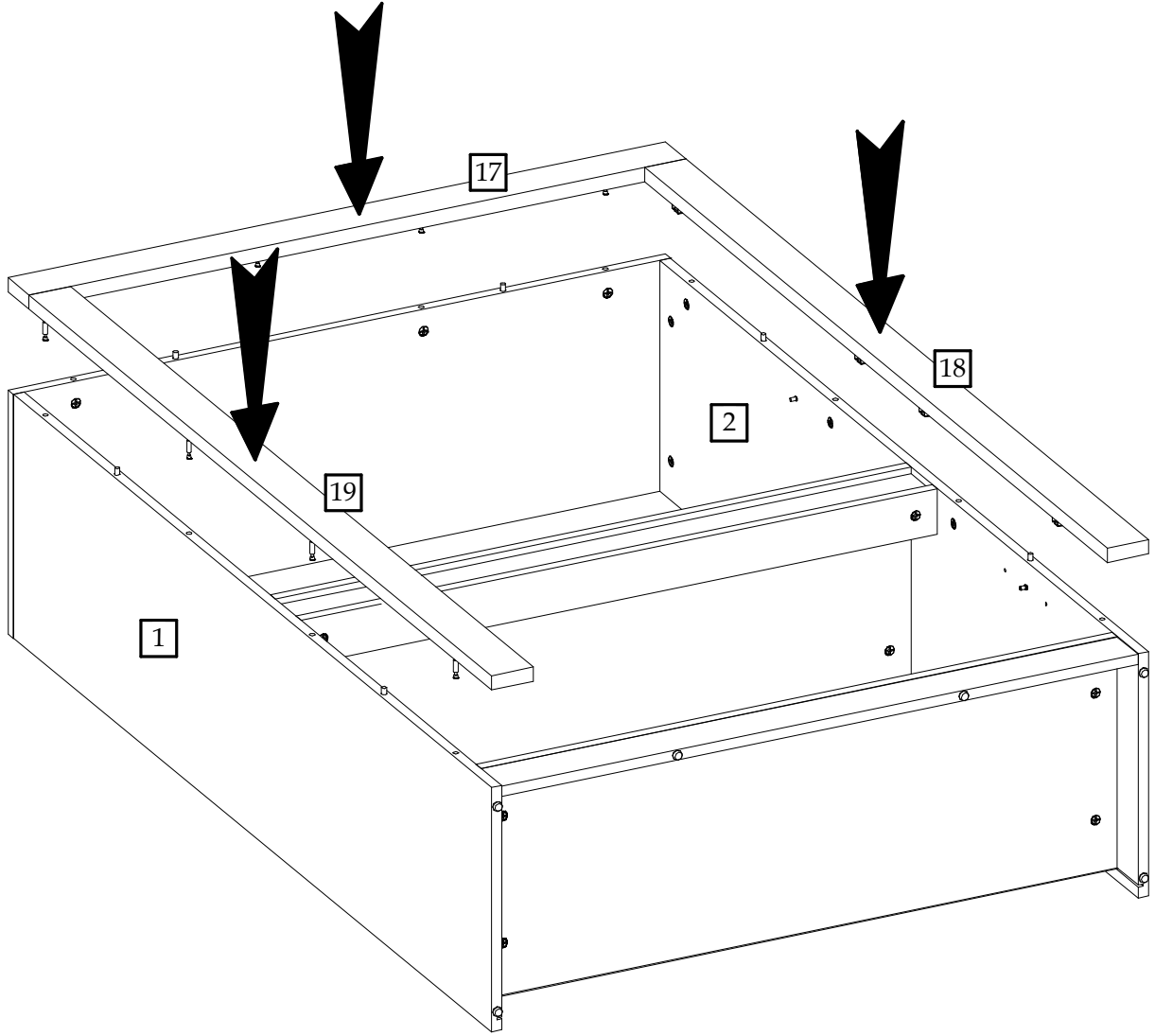
8



9



10



11

